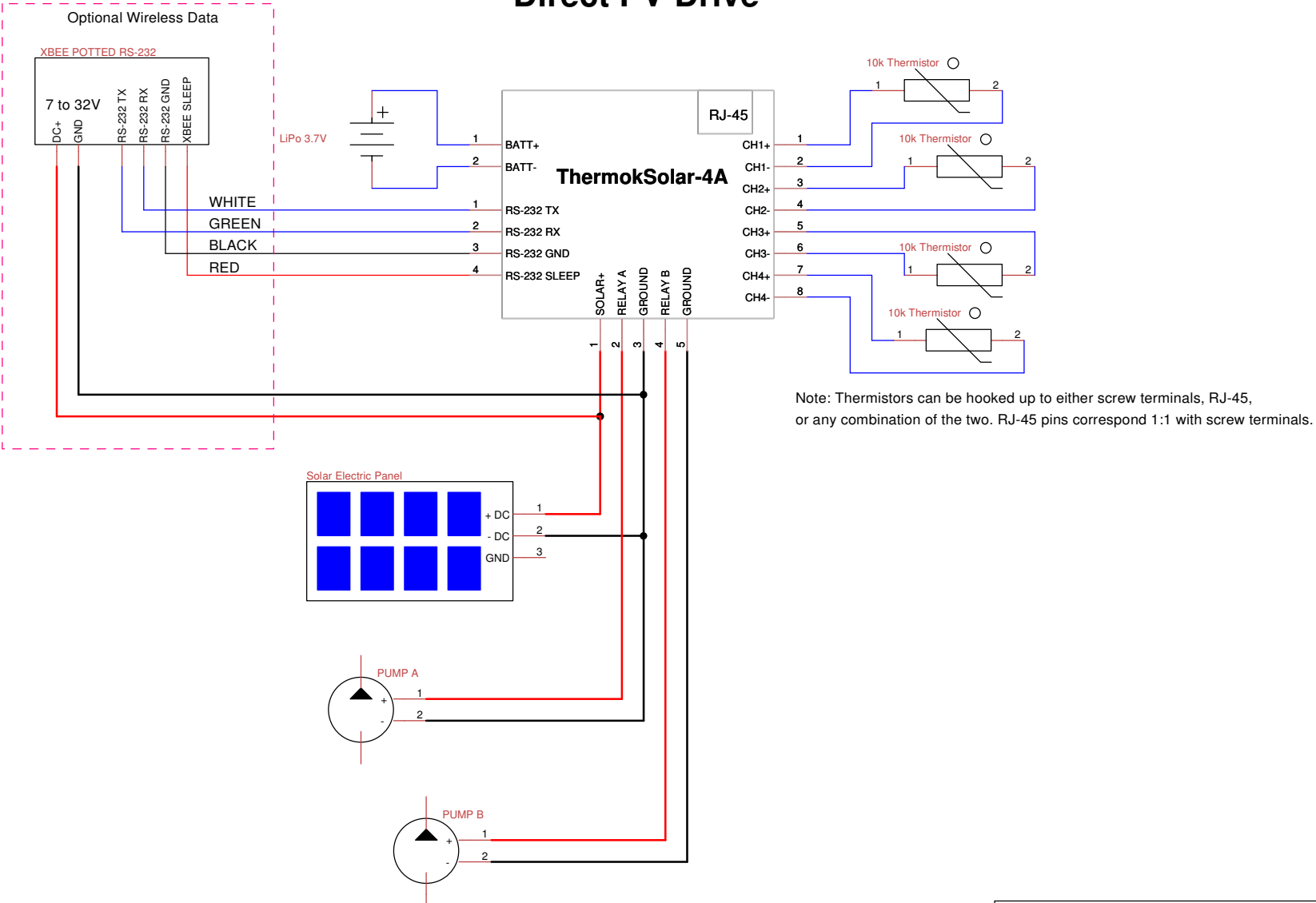


Direct PV Drive



Note: Thermistors can be hooked up to either screw terminals, RJ-45, or any combination of the two. RJ-45 pins correspond 1:1 with screw terminals.

Title		
ThermokSolar Hookup		
Author		
James Jarvis APRS World, LLC		
File		Document
projects\thermokSolar\thermokSolar_hookup.dsn		
Revision	Date	Sheets
1.0	2009-12-09	1 of 1