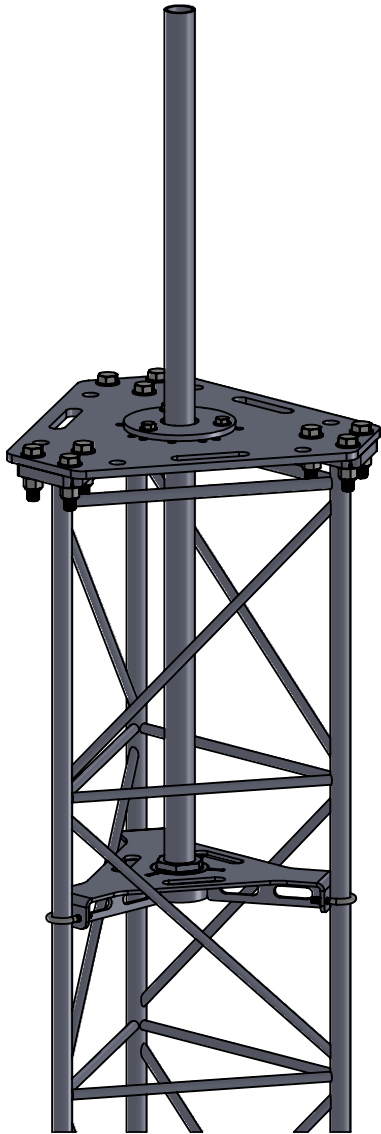


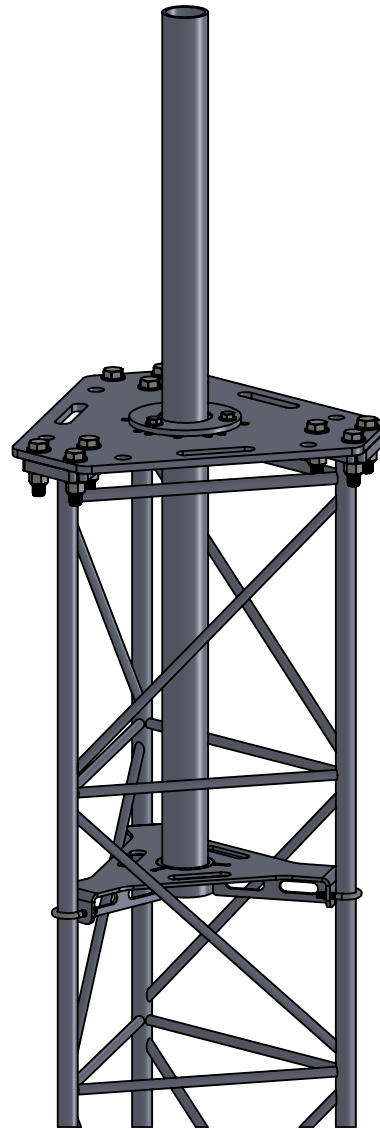
BERGEY GL TOWER MASTS
OVERVIEW

THE BERGEY GL TOWER MASTS UTILIZE A COMMON TOP PLATE
WHICH ALLOWS INSTALLATION OF VARIOUS MASTS

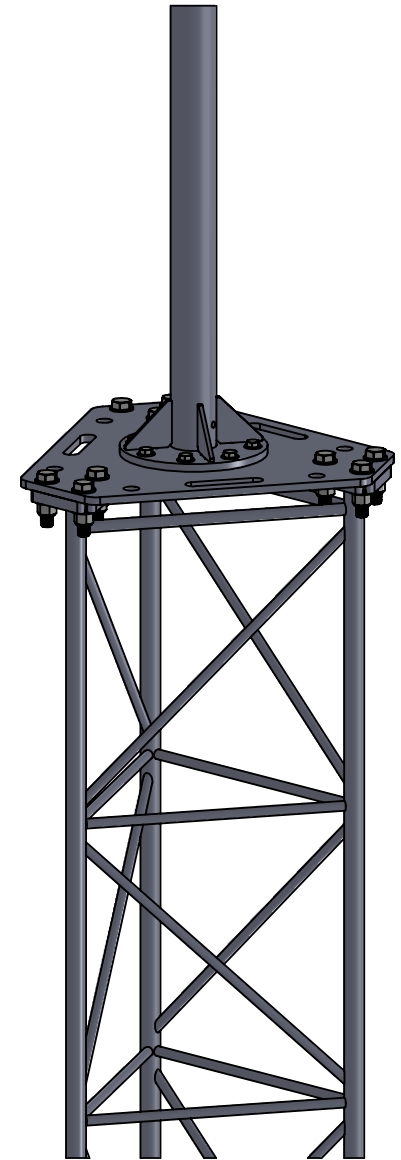
SLIP ON 1.5SCH40 PIPE



SLIP ON 2.5SCH40 PIPE

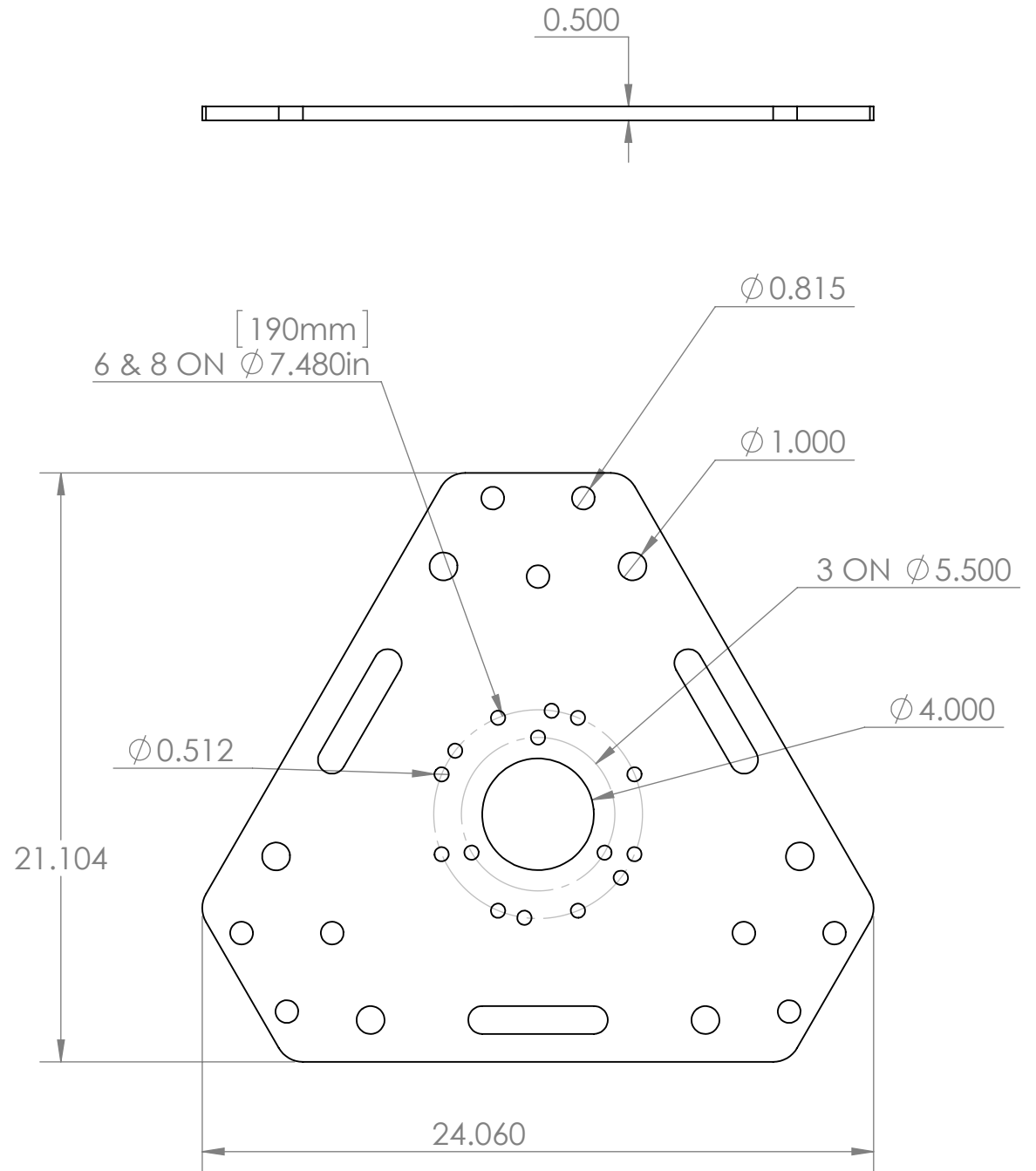
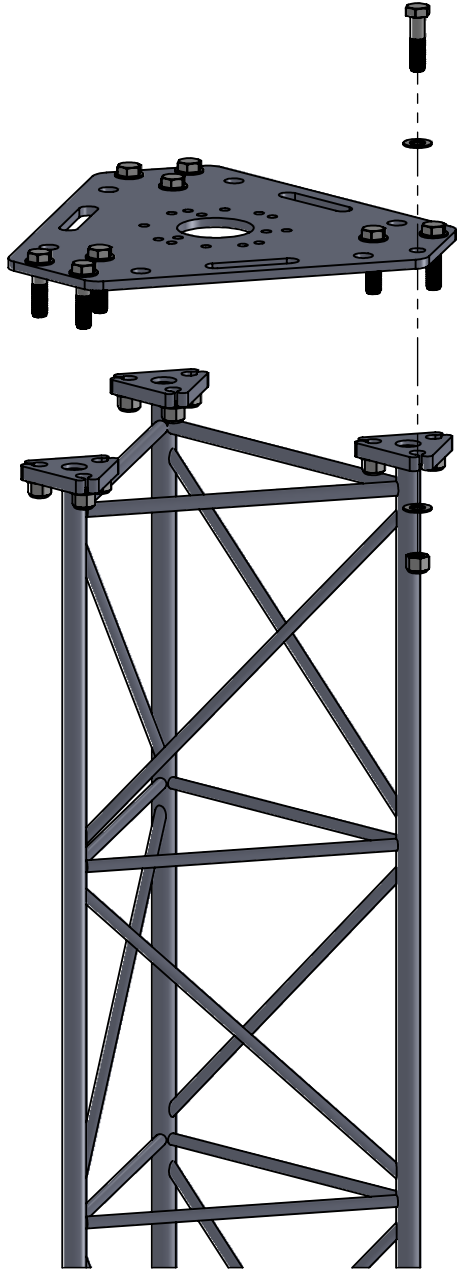


BOLT ON 2.5SCH40 PIPE



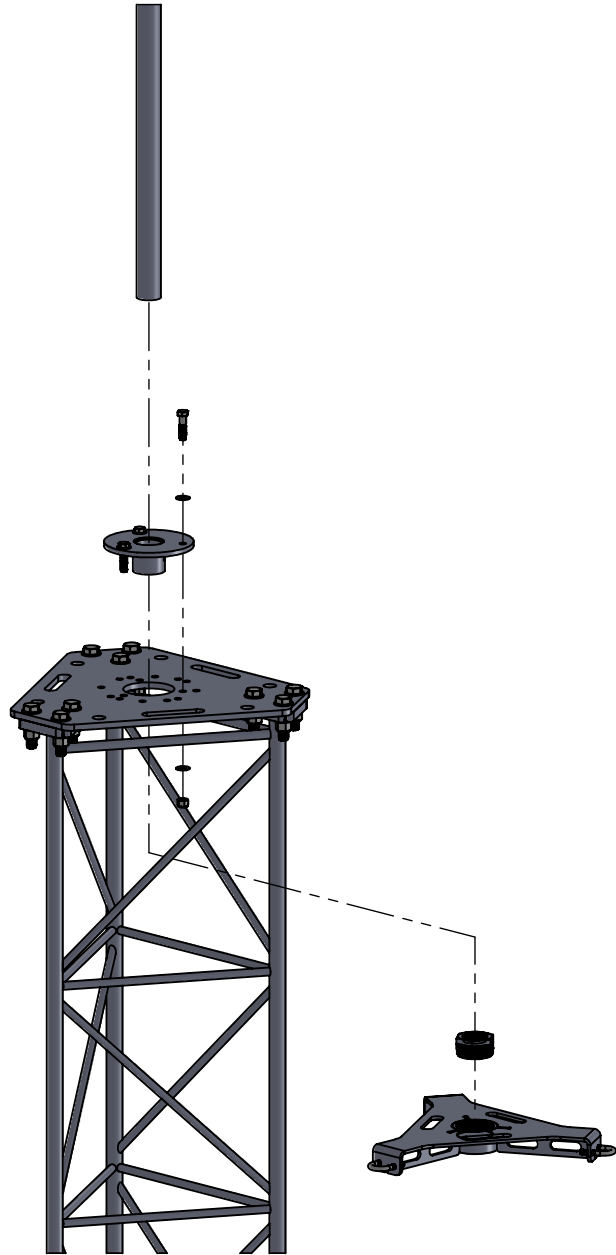
BERGEY GL TOWER MASTS

UNIVERSAL PLATE INSTALLATION

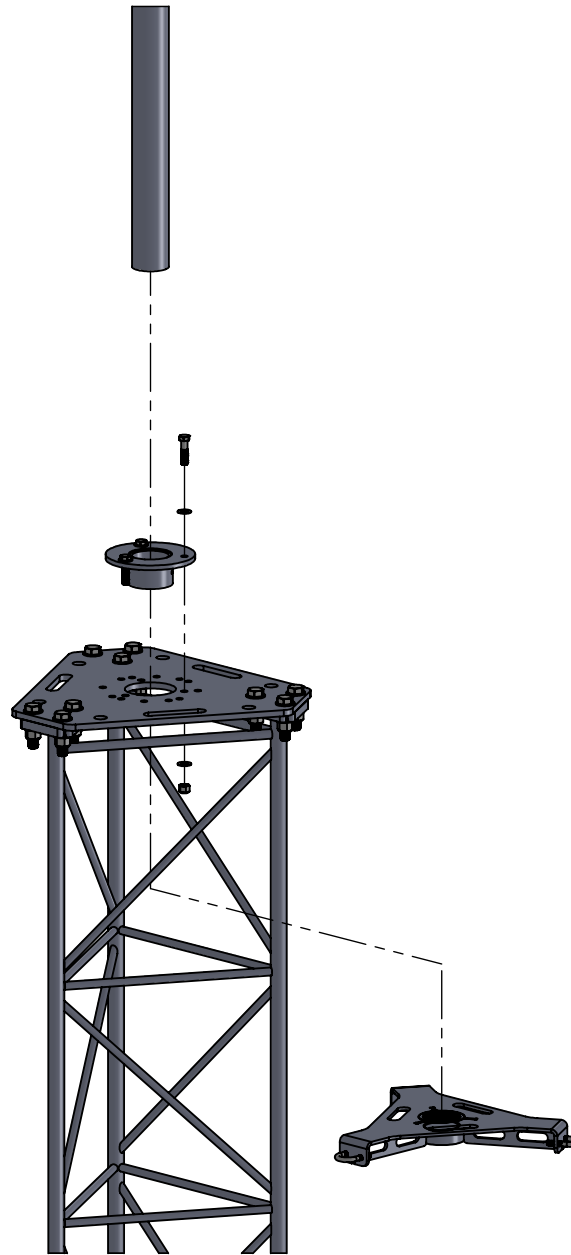


BERGEY GL TOWER MASTS
MAST INSTALLATION

SLIP ON 1.5SCH40 PIPE



SLIP ON 2.5SCH40 PIPE



BOLT ON 2.5SCH40 PIPE

