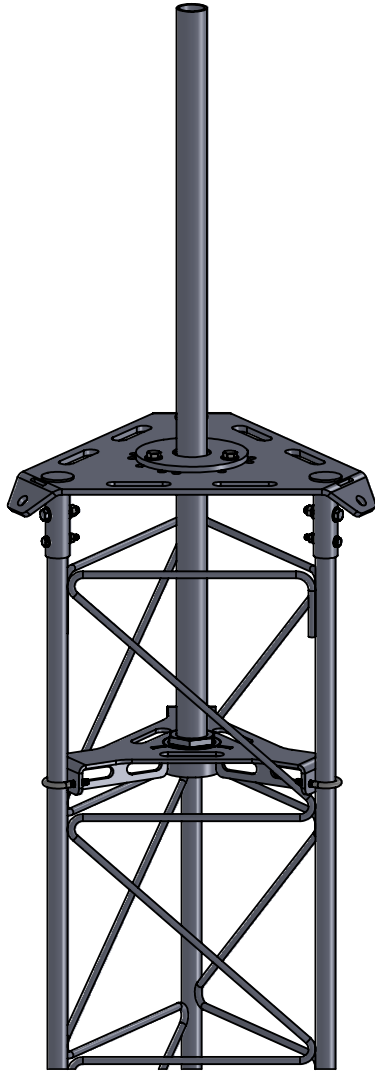


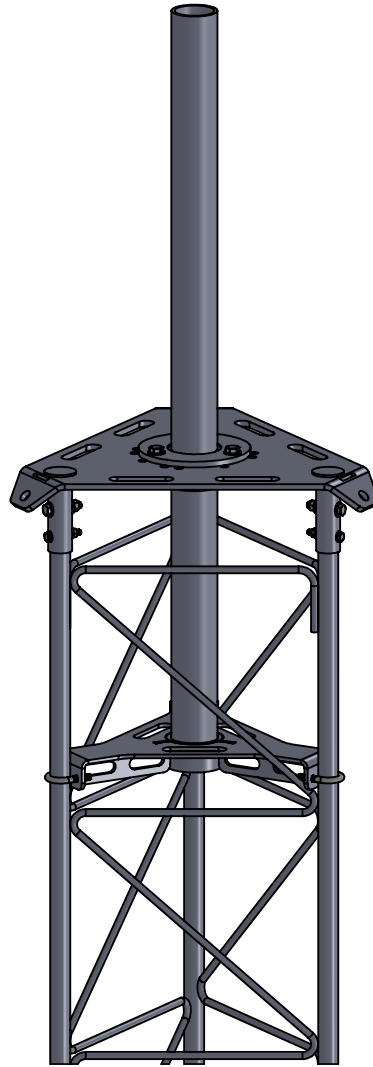
ROHN 45G TOWER MASTS
OVERVIEW

THE ROHN 45G TOWER MASTS UTILIZE A COMMON TOP PLATE WHICH ALLOWS INSTALLATION OF VARIOUS MASTS

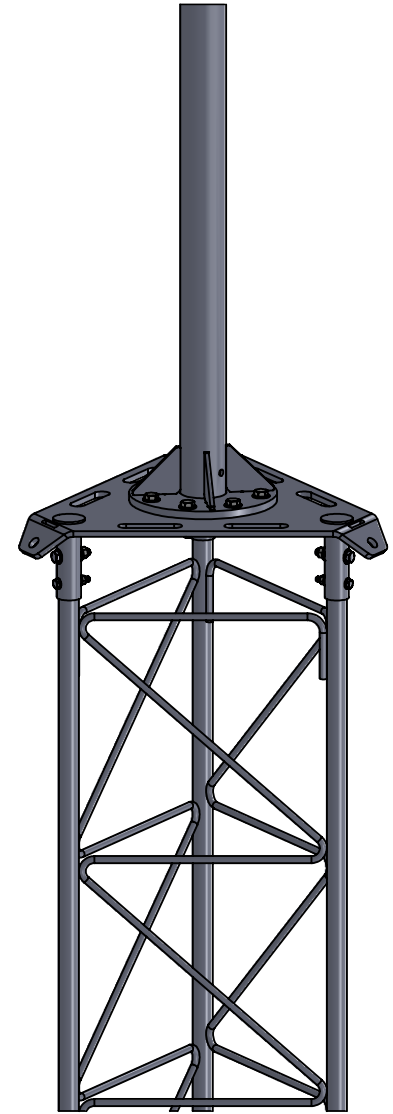
SLIP ON 1.5SCH40 PIPE



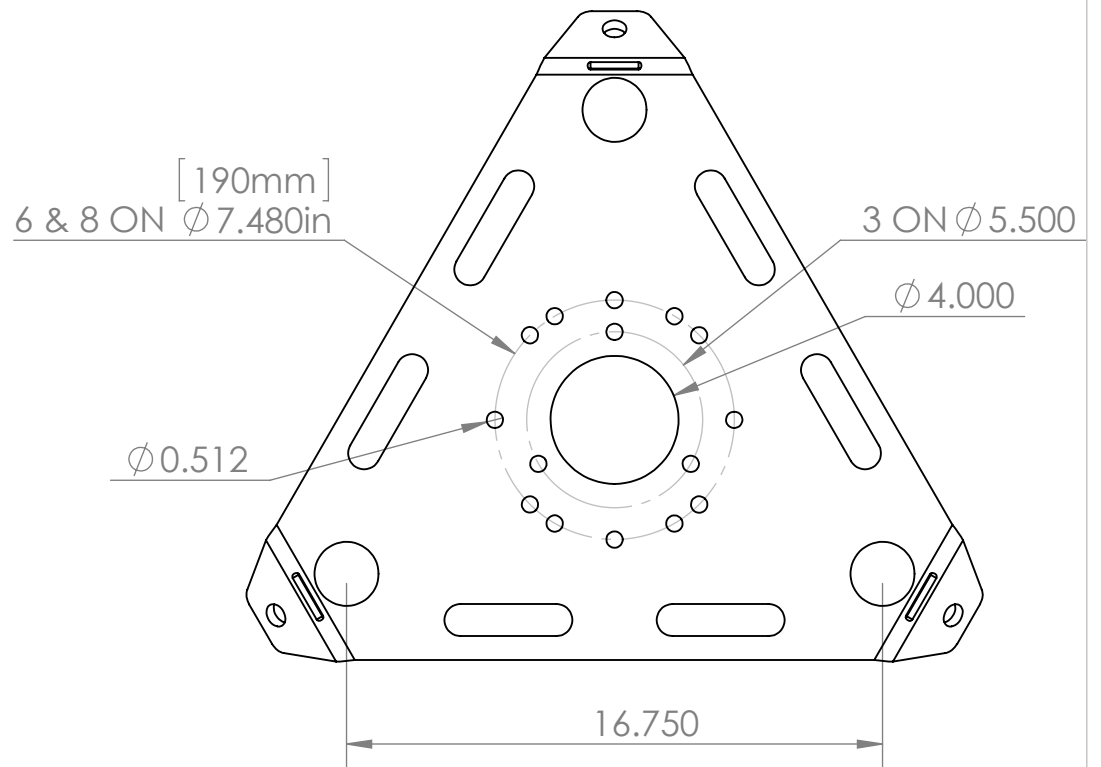
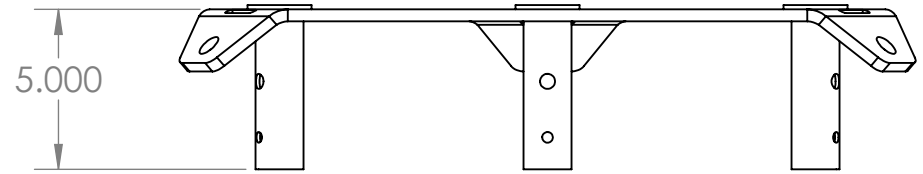
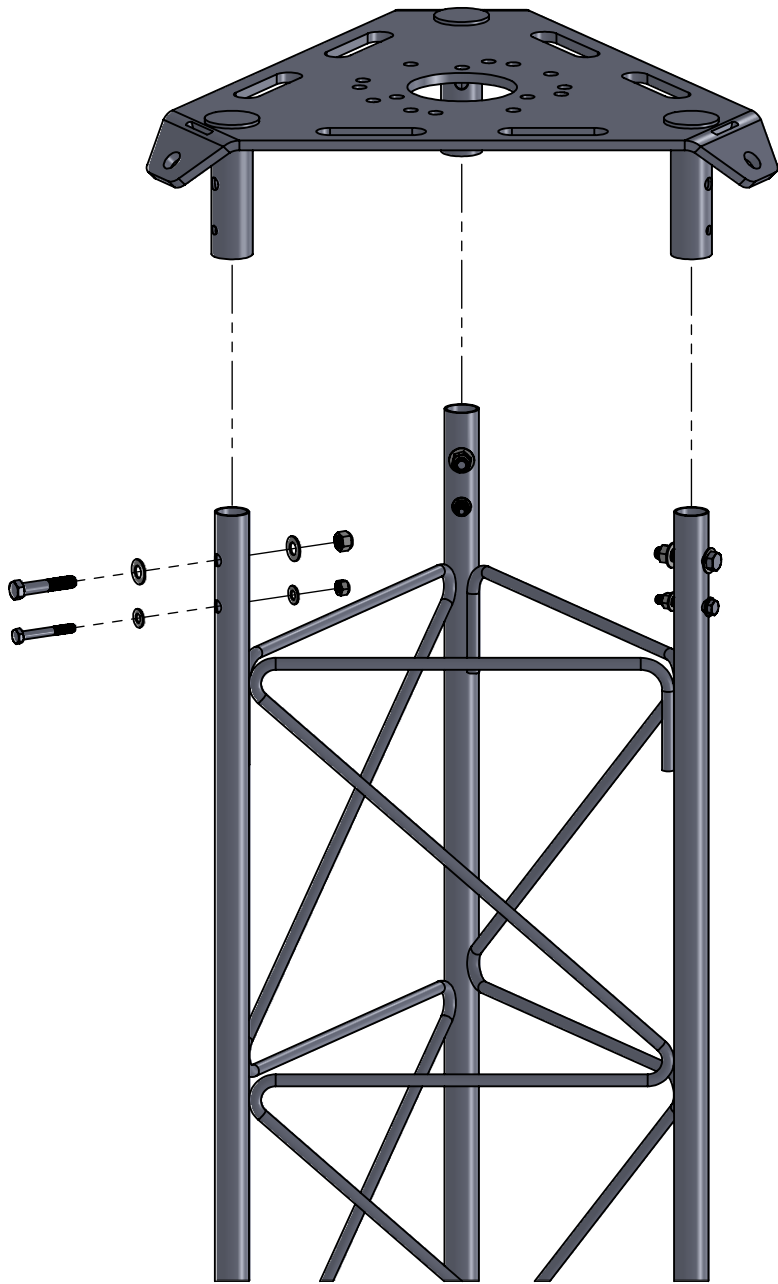
SLIP ON 2.5SCH40 PIPE



BOLT ON 2.5SCH40 PIPE



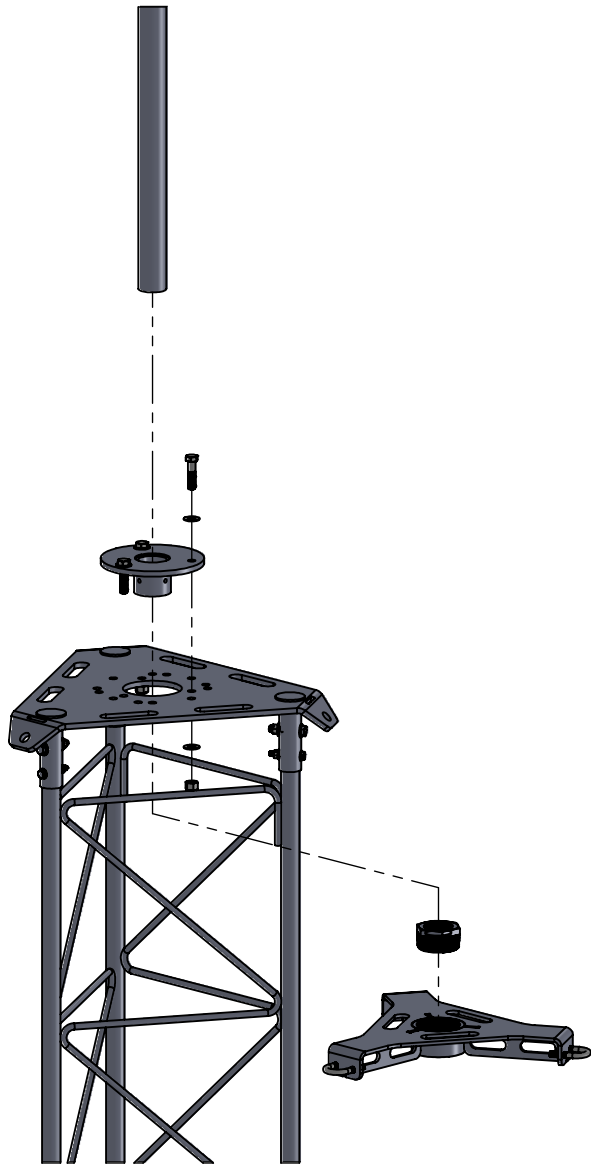
ROHN 45G TOWER MASTS UNIVERSAL PLATE INSTALLATION



ROHN 45G TOWER MASTS

MAST INSTALLATION

SLIP ON 1.5SCH40 PIPE



SLIP ON 2.5SCH40 PIPE



BOLT ON 2.5SCH40 PIPE

