



Wind Monitor

APRS World, LLC

User's Manual



APRS World, LLC
P.O. Box 1264
Winona, MN 55987 USA

Phone: +1-507-454-2727

E-mail: info@aprsworld.com
Web: www.aprsworld.com

© APRS World, LLC
In order to improve design and supply the best product possible, specifications may change without notice.

WIND MONITOR QUICK-START GUIDE

Thank-you for purchasing APRS World's **Wind Monitor!** We are confident that you will find this to be a valuable tool and sound investment in assisting you with monitoring wind and gust speeds .

This section of the manual will provide you with all of the basic information you need to know to get your Wind Monitor up and running.

NAVIGATION

The Wind Monitor's easy-to-use interface includes a backlit LCD screen, which displays current wind speed and the maximum gust speed registered during the previous 60 seconds. A simple menu-driven interface using the LCD and three front panel buttons makes setup easy. A bright backlight makes the unit easy-to-use at night.



BUTTONS

LEFT ●: Scrolls through display screens and allows user calibration in setup menus. Moves values in the negative direction.

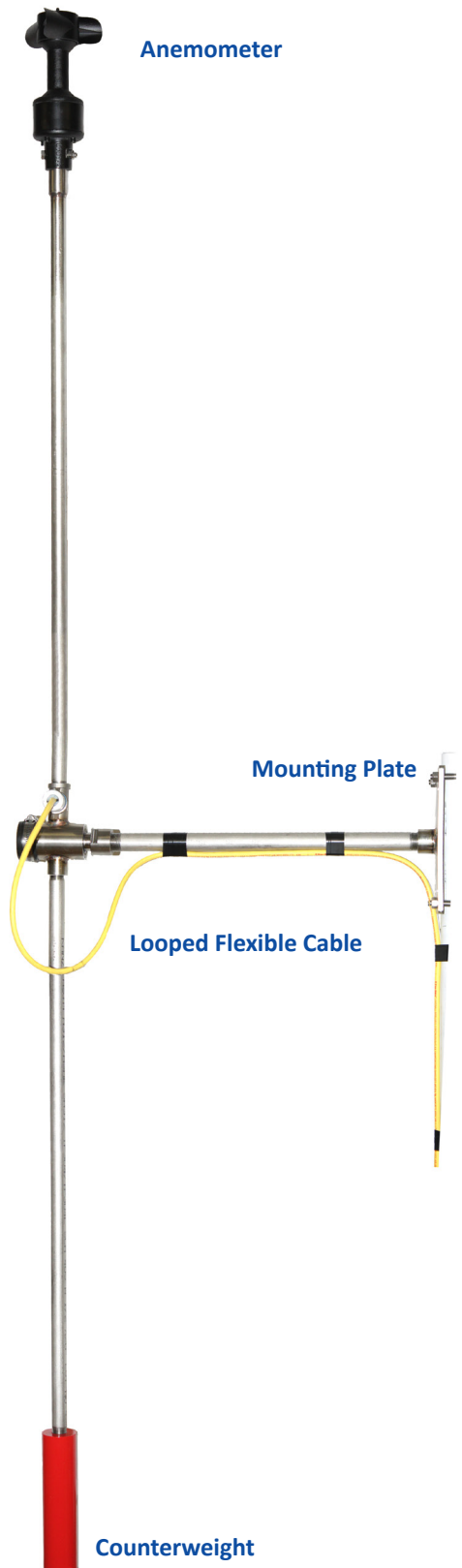
CENTER ●: Press to enter 'Setup' menu and to set user calibrated displays

RIGHT ●: Scrolls through display screens and allows user calibration in setup menus. Moves values in the positive direction.

All buttons respond to a single press; holding a button will not cause multiple actions to occur.

MOUNTING THE WIND MONITOR

A mounting plate is provided with the Wind Monitor. Attach the shorter threaded pipe to the mounting plate and tighten using a pipe wrench. Mount this assembly to your desired location. Attach the red counterweight to the long threaded pipe, then attach this to the anemometer assembly. The anemometer plus counterweight assembly can now be attached to the mounting assembly that is already in place. These two assemblies are joined using a pivoting mount that will maintain verticality for the anemometer. Be sure to tighten all threaded pipes with a pipe wrench to ensure strong connections. When the entire unit is mounted, loop the flexible cable as in the photo to allow the anemometer to pivot as needed.



POWERING THE WIND MONITOR

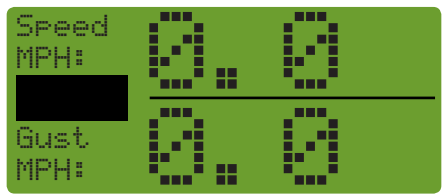
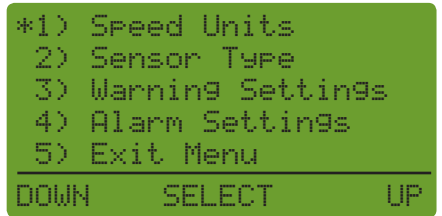
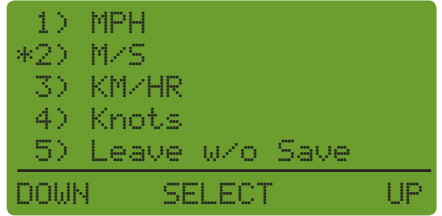

The Wind Monitor operates using a nominal 24 volts DC power. The unit is protected by a 15 amp fuse and average power consumption is 30 watts using an NRG ice free anemometer. When connecting power using the power input connector, please note that the white input denotes positive voltage and the black input denotes negative voltage.

White = +

Black = -

Reversing positive and negative **will destroy** the unit and void your warranty. If this is not clear, please call us.

CONFIGURATION AND OPERATION

	Display Screen	Description
Status Screen		Default screen. Wind Speed and Maximum Gust (in the past minute) will be displayed when unit is on. Default unit of measurement is miles per hour, but this can be changed during setup.
Main Menu		To access the setup screens, press the left and right buttons simultaneously while powering the unit on. This is the Main Menu. Press the middle button to select "Speed Units" if you want to change the default unit of measurement.
Speed Units		Press the left button to move down the menu to change the unit of measurement to Meters per Second, Kilometers per Hour, or Knots. Choose "Leave w/o Save" if you choose to make no changes. Upon selecting an option, you will be returned to the Main Menu.
Sensor Type		When you select "Sensor Type" from the Main Menu, choose the correct anemometer for your setup. Upon selecting an option, you will be returned to the Main Menu.

Warning Settings	<pre>*1) Warn Speed 2) Silence Switch 3) Exit Menu Buzzer on when gust exceeds speed. ----- DOWN SELECT UP</pre>	<p>Selecting “Warning Settings” from the Main Menu takes you to the “Warn Speed” menu, which allows you to set a gust speed at which you would like for the unit to sound and display a warning. Selecting “Warn Speed” will take you to the next screen.</p>
Warn Speed	<pre>Gust speed for buzzer +0015.0000 ----- SELECT to advance. DOWN SELECT UP</pre>	<p>Choose SELECT to move through the digits. When you reach a digit that needs to be changed, press the DOWN or UP buttons to set the digit then the SELECT button to move to the next digit. Speed is measured using the unit of measurement set for the unit. For instance, if the unit of measurement is MPH, this screen is set to 15 miles per hour. Selecting returns you to the “Warn Speed” menu.</p>
Silence Switch	<pre>1) Disable Silence *2) Enable Silence 3) Leave w/o Save ----- DOWN SELECT UP</pre>	<p>Selecting “Silence Switch” from the “Warn Speed” menu allows you to change the settings for the audible alarm. “Disable Silence” prevents users from turning off the audible alarm using the switch on the right. “Enable Silence” allows users to turn off the audible alarm using the switch on the right. Any selection returns you to the “Warn Speed” menu, where you can choose “Exit Menu” to return to the “Main Menu” and advance to the “Alarm Speed” setup.</p>
Alarm Settings	<pre>*1) Alarm Speed 2) Silence Switch 3) Exit Menu Buzzer on when wind exceeds speed. ----- DOWN SELECT UP</pre>	<p>Selecting “Alarm Settings” from the Main Menu takes you to the “Alarm Speed” menu, which allows you to set a wind speed at which you would like for the unit to sound and display a warning. Selecting “Alarm Speed” will take you to the next screen.</p>
Alarm Speed	<pre>Alarm speed for buzz: +0020.0000 ----- SELECT to advance. DOWN SELECT UP</pre>	<p>Choose SELECT to move through the digits. When you reach a digit that needs to be changed, press the DOWN or UP buttons to set the digit then the SELECT button to move to the next digit. Speed is measured using the unit of measurement set for the unit. For instance, if the unit of measurement is MPH, this screen is set to 15 miles per hour. Selecting returns you to the “Alarm Speed” menu.</p>
Silence Switch	<pre>1) Disable Silence *2) Enable Silence 3) Leave w/o Save ----- DOWN SELECT UP</pre>	<p>Selecting “Silence Switch” from the “Alarm Speed” menu allows you to change the settings for the audible alarm. “Disable Silence” prevents users from turning off the audible alarm using the switch on the right. “Enable Silence” allows users to turn off the audible alarm using the switch on the right. Any selection returns you to the “Alarm Speed” menu, where you can choose “Exit Menu” to return to the “Main Menu.”</p>
Main Menu	<pre>1) Speed Units 2) Sensor Type 3) Warning Settings 4) Alarm Settings *5) Exit Menu ----- DOWN SELECT UP</pre>	<p>Select “Exit Menu” from the “Main Menu” to return to the status screen of the unit.</p>