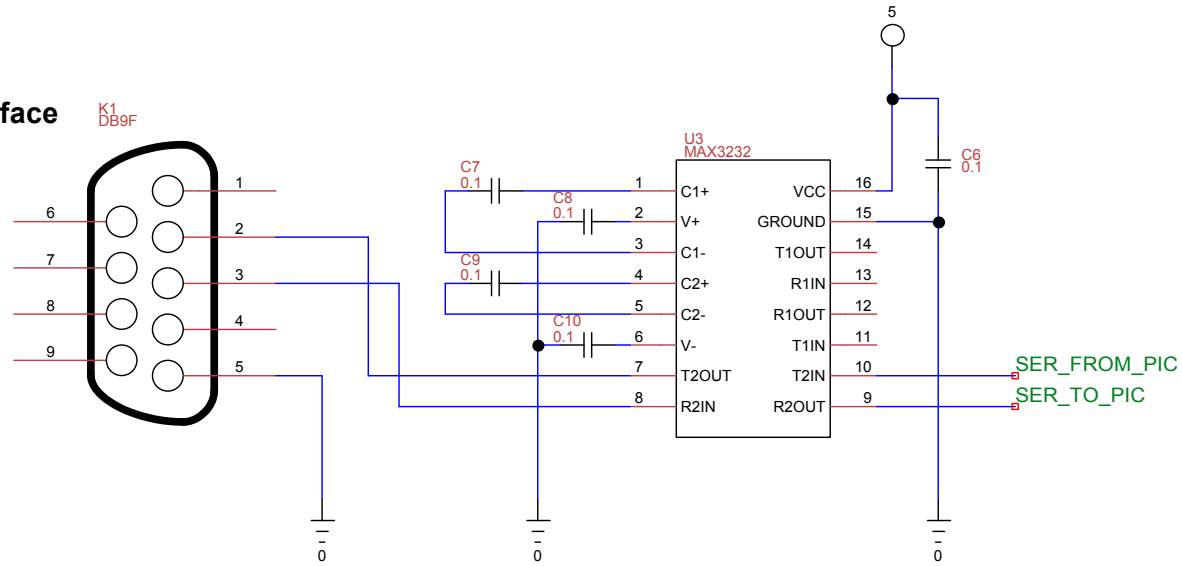
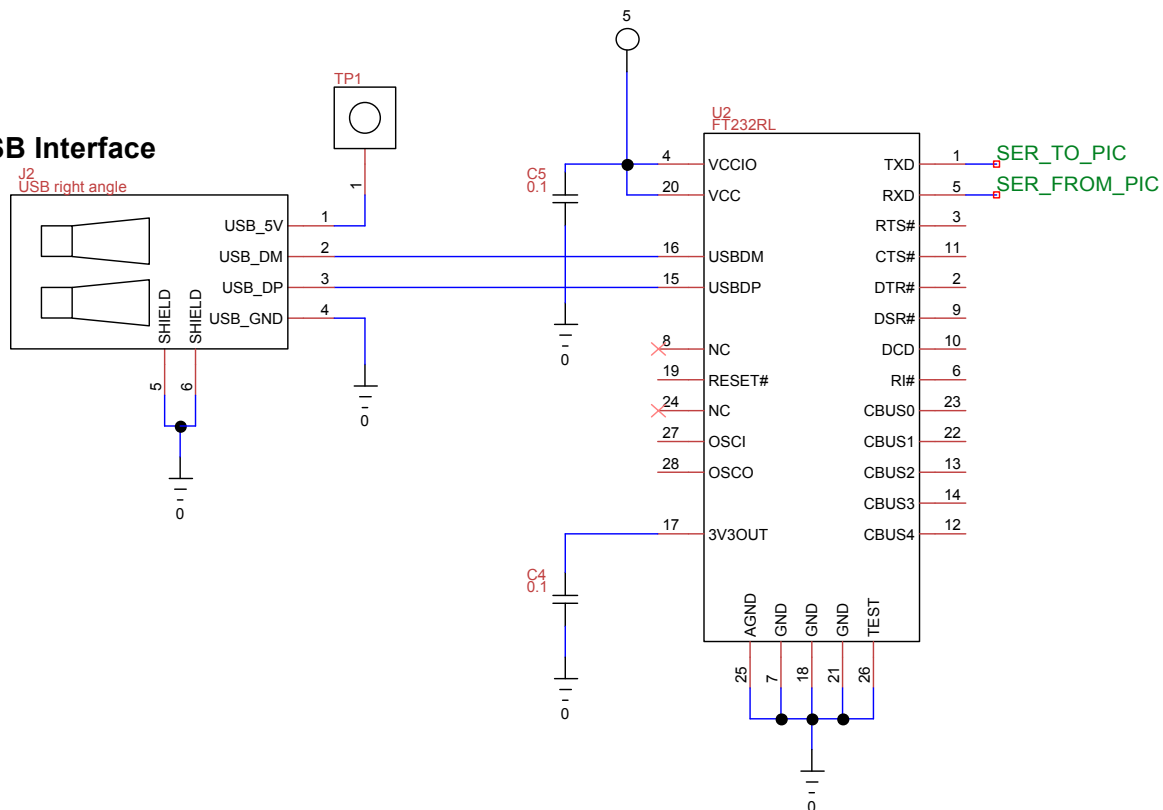


Title Wind Monitor II		
Author James Jarvis APRS World, LLC		
File ers\Desktop\projects\windmon2c\windmon2c.dsn	Document	
Revision c	Date 21 March 2007	Sheets 1 of 3

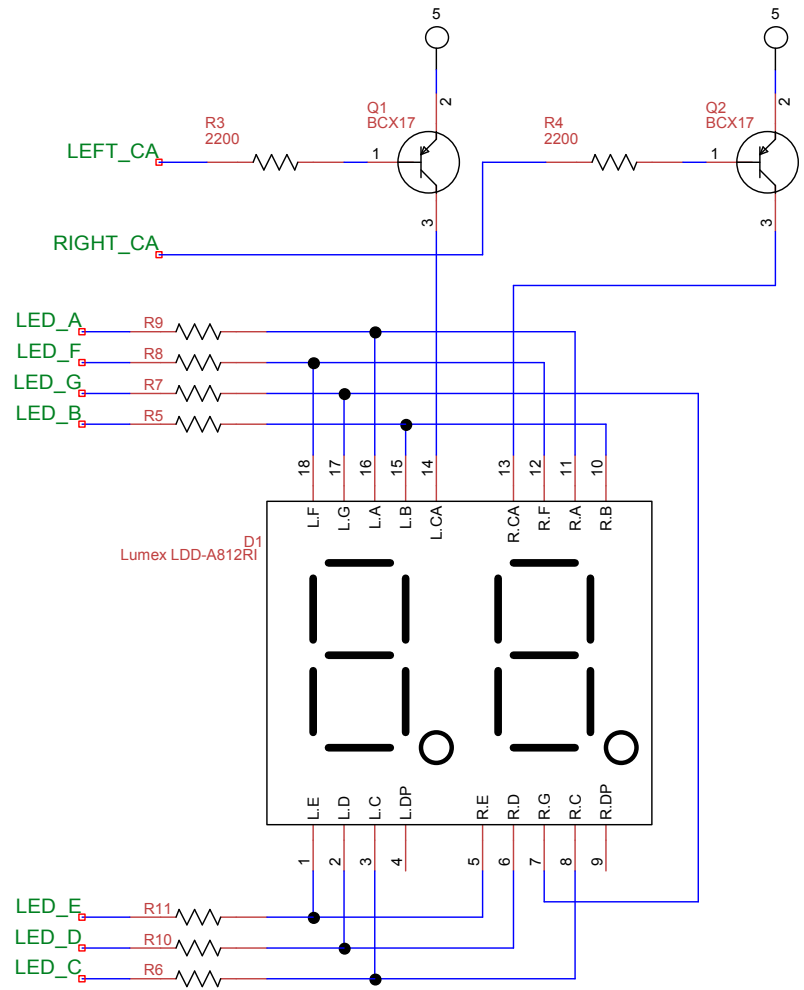
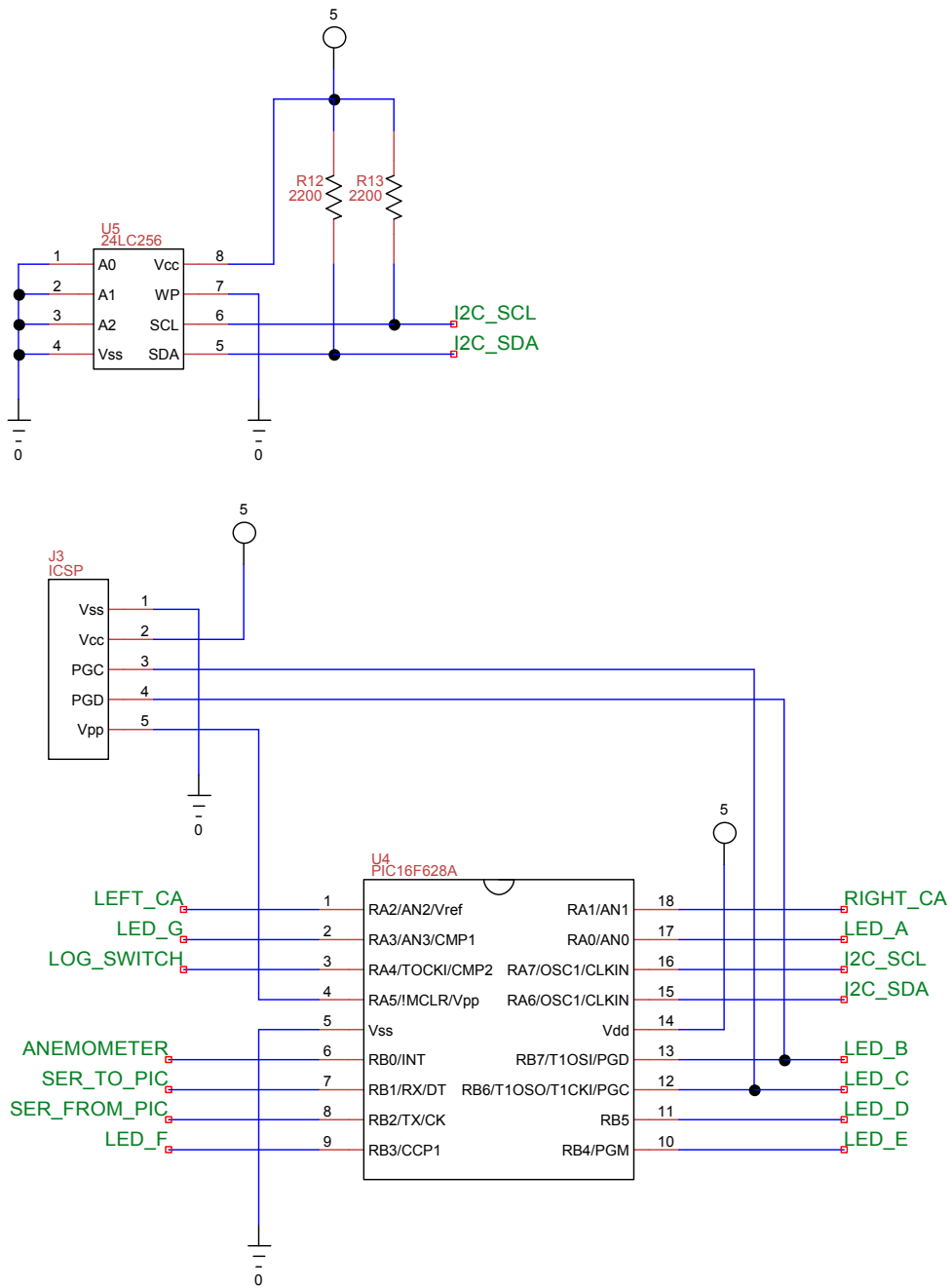
RS-232 Interface



USB Interface



Title Wind Monitor II		
Author James Jarvis APRS World, LLC		
File ers\Desktop\projects\windmon2c\windmon2c.dsn	Document	
Revision c	Date 21 March 2007	Sheets 2 of 3



Title Wind Monitor II		
Author James Jarvis APRS World, LLC		
File ers\Desktop\projects\windmon2c\windmon2c.dsn		Document
Revision c	Date 21 March 2007	Sheets 3 of 3