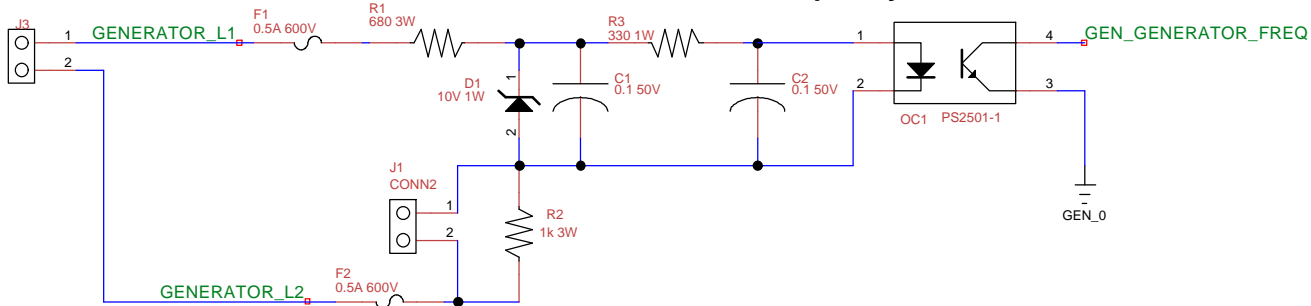
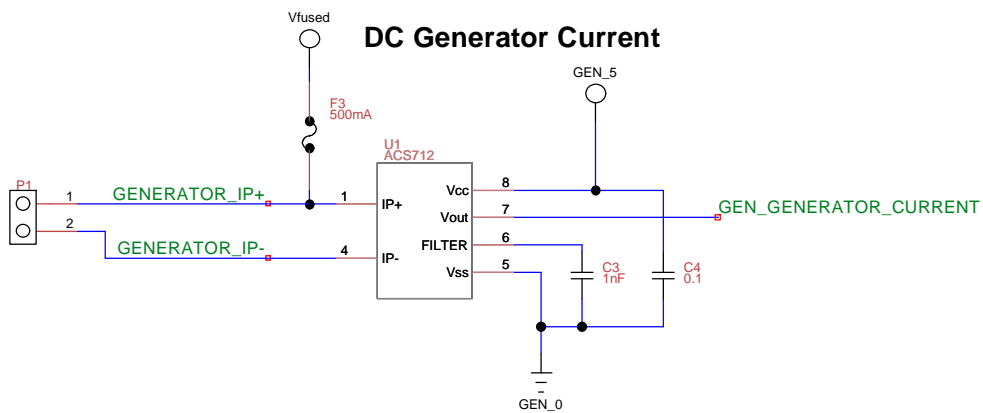


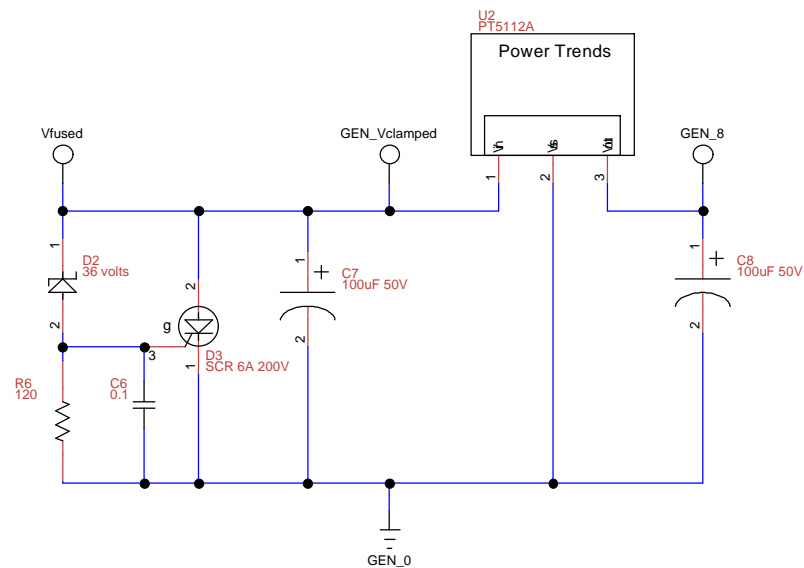
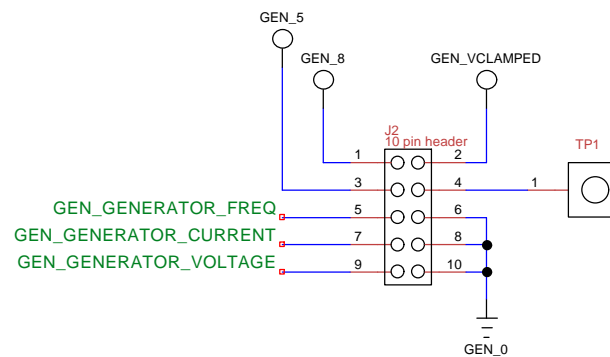
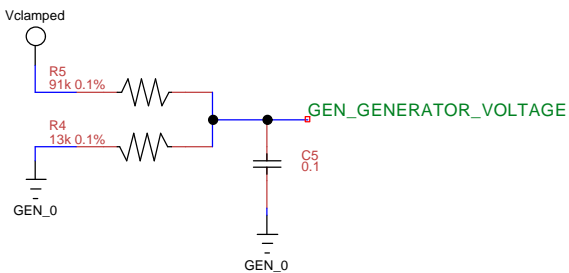
AC Generator Frequency

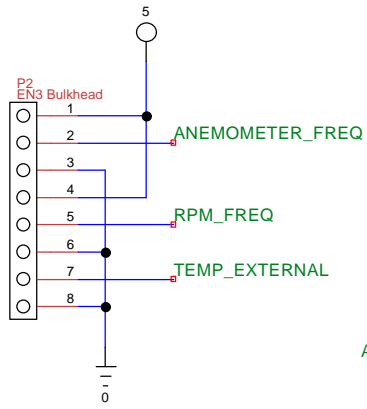


DC Generator Current

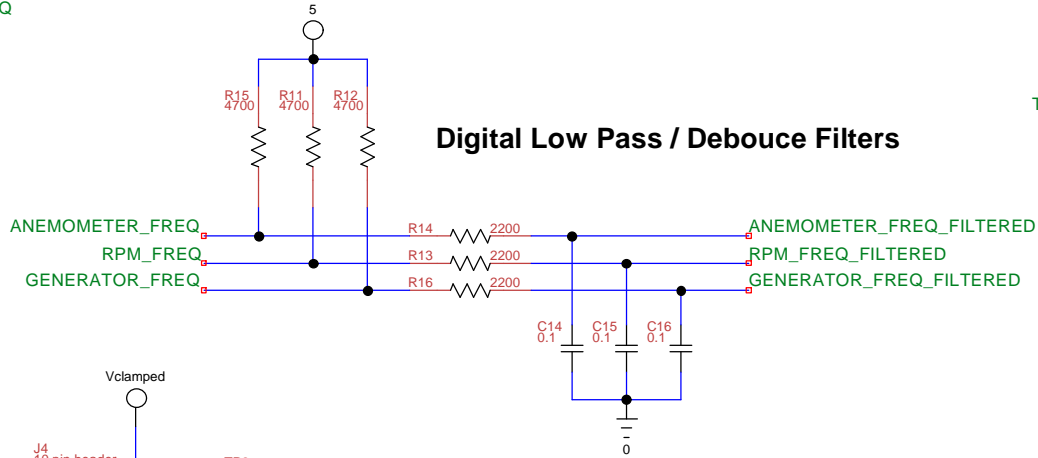


DC Generator Voltage

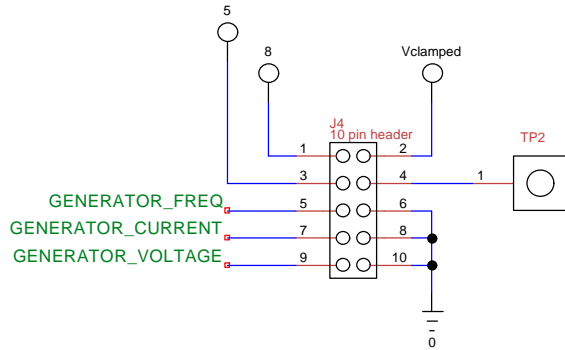
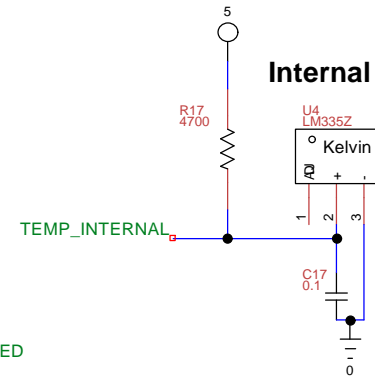




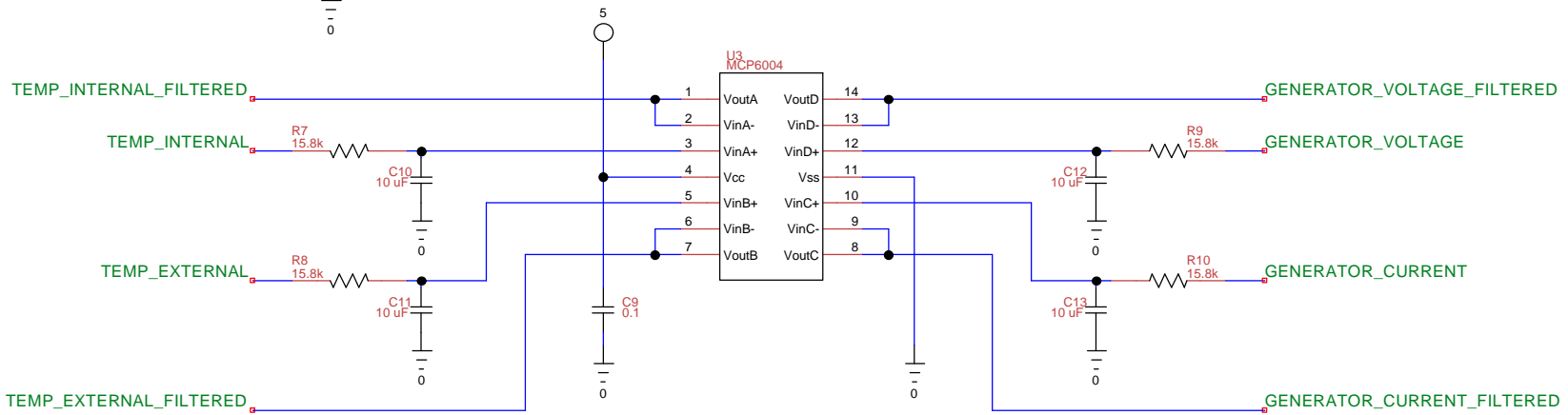
Digital Low Pass / Debounce Filters

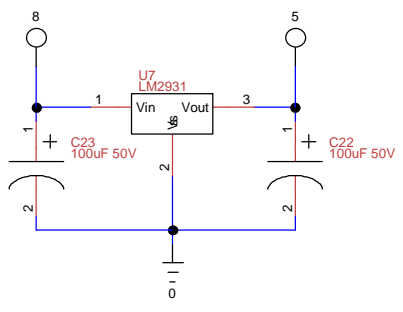


Internal Temperature

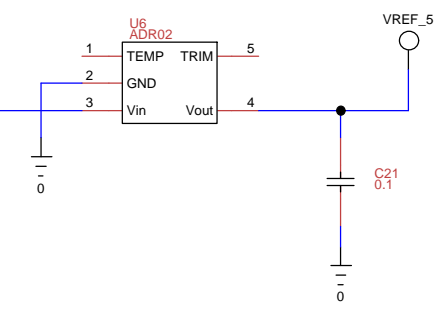


Analog Low Pass / Anti-aliasing Filters

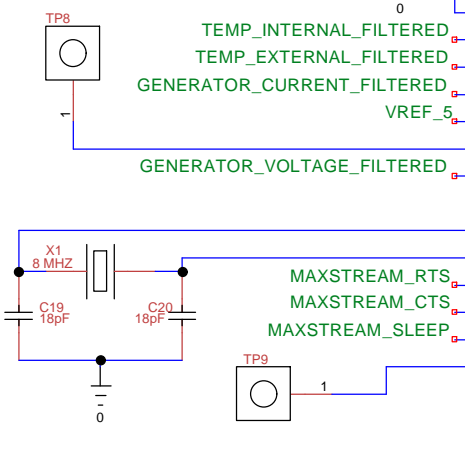
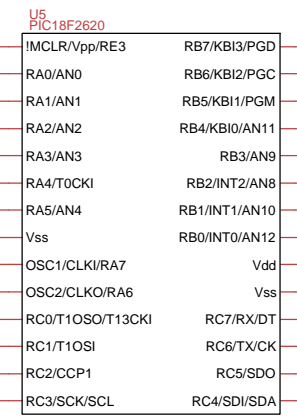
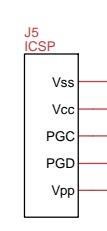
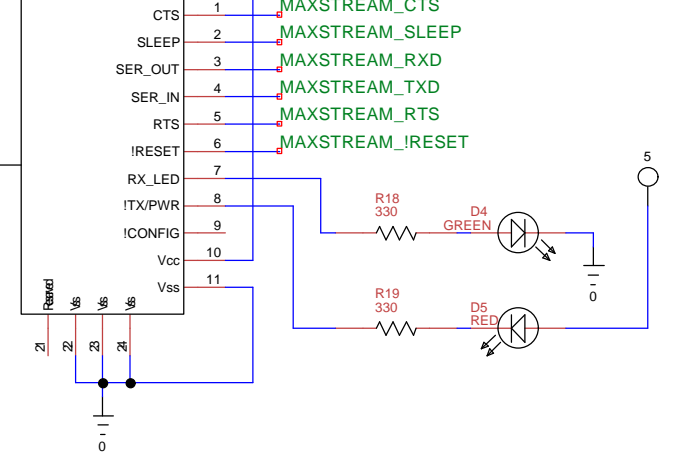




Precision 5 volt reference for ADC



MODEM1
XCite OEM RF Modem



Title	
Author	
File	Document
Jarvis\Desktop\projects\wrenDAQ\wrenDAQ2.dsn	
Revision	Date
1.0	
Sheets	
2	