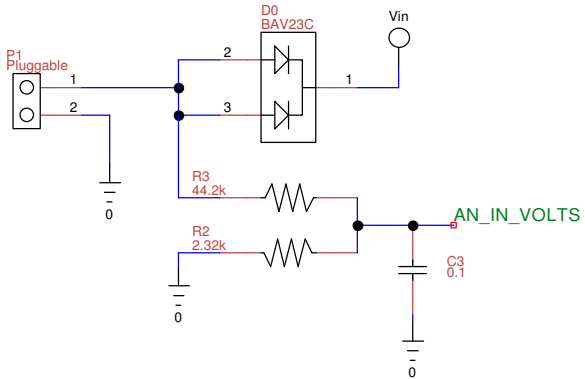
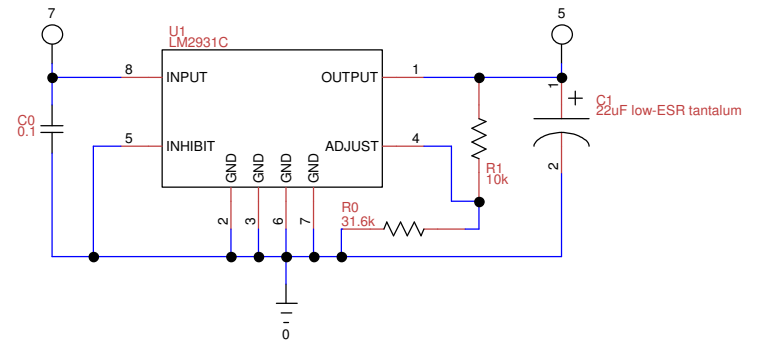


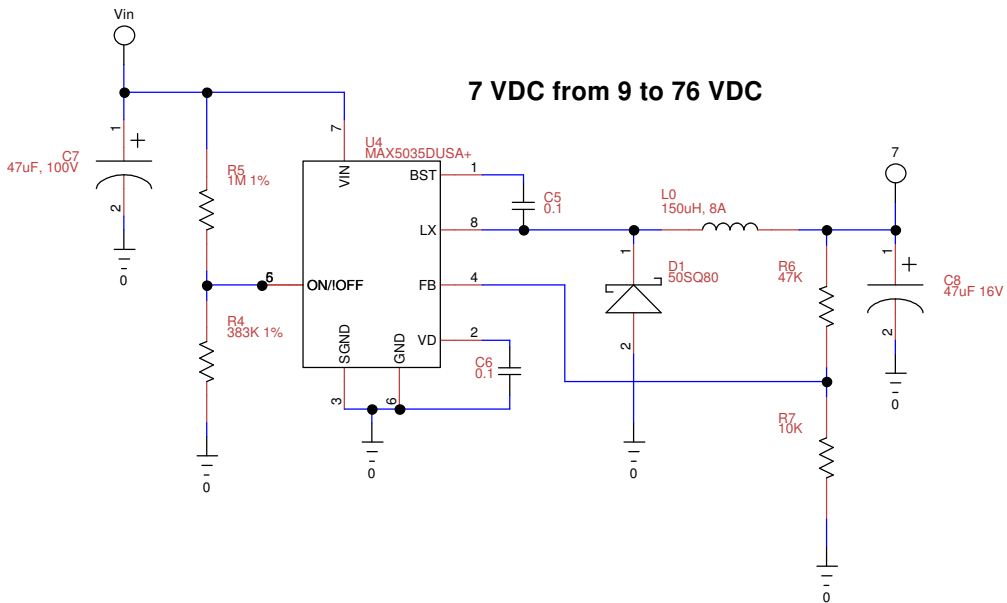
Input protection and divider



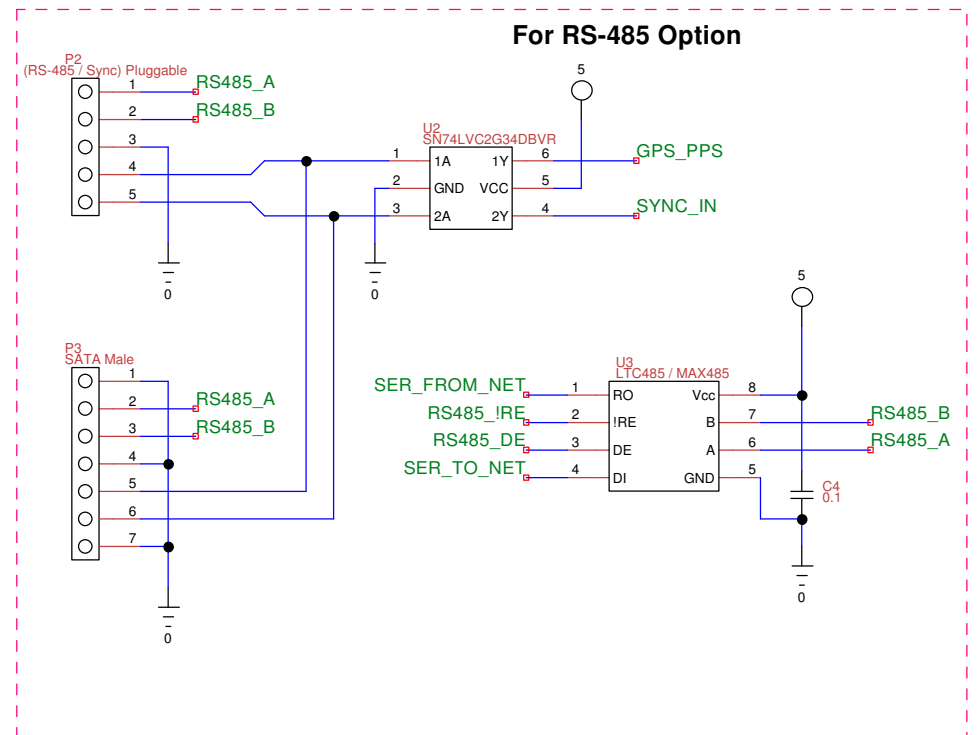
5 VDC from 7 VDC



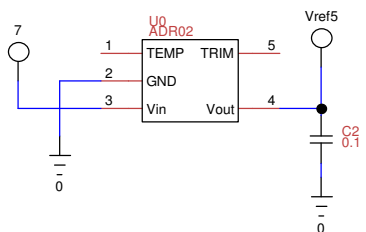
7 VDC from 9 to 76 VDC



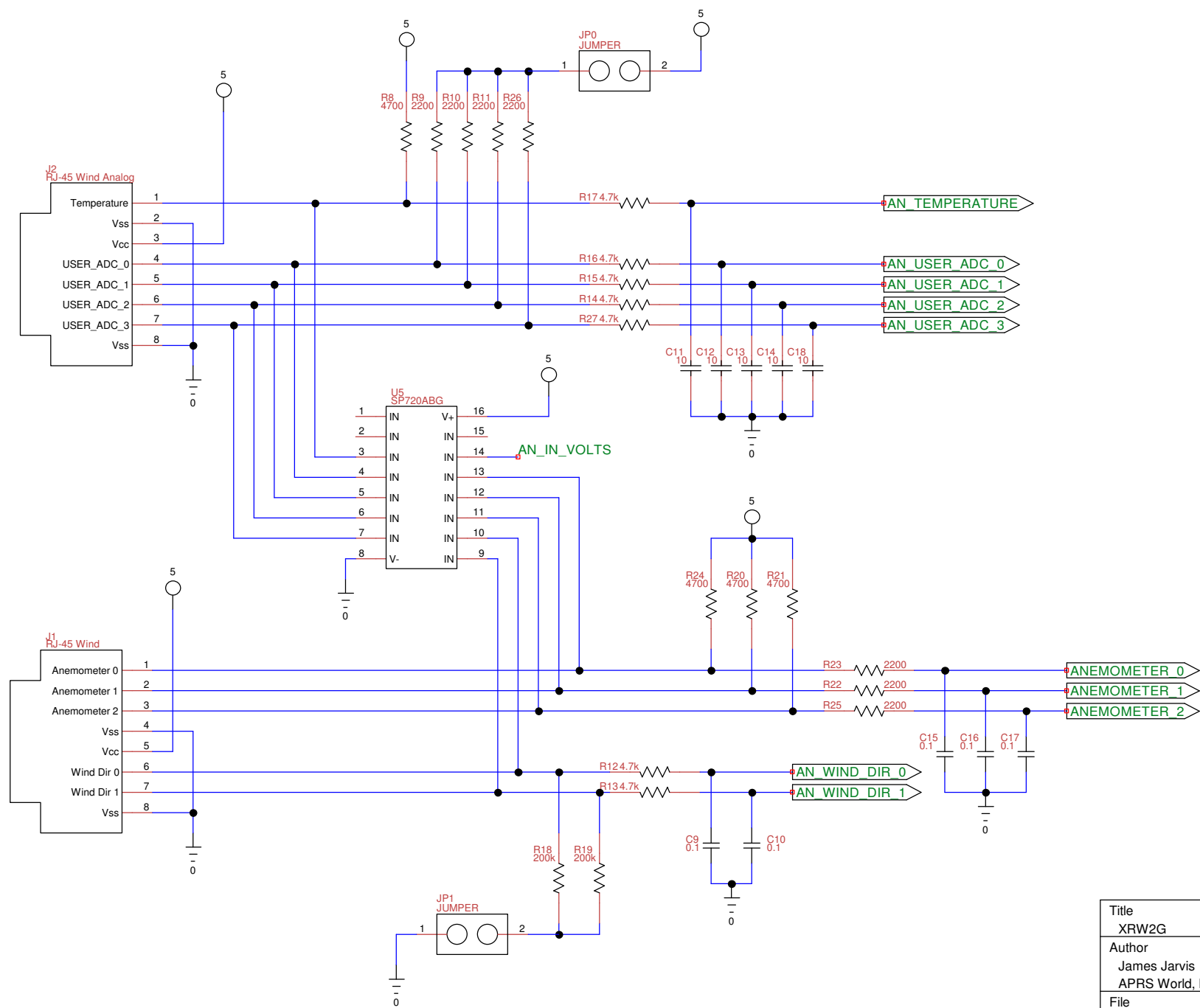
For RS-485 Option



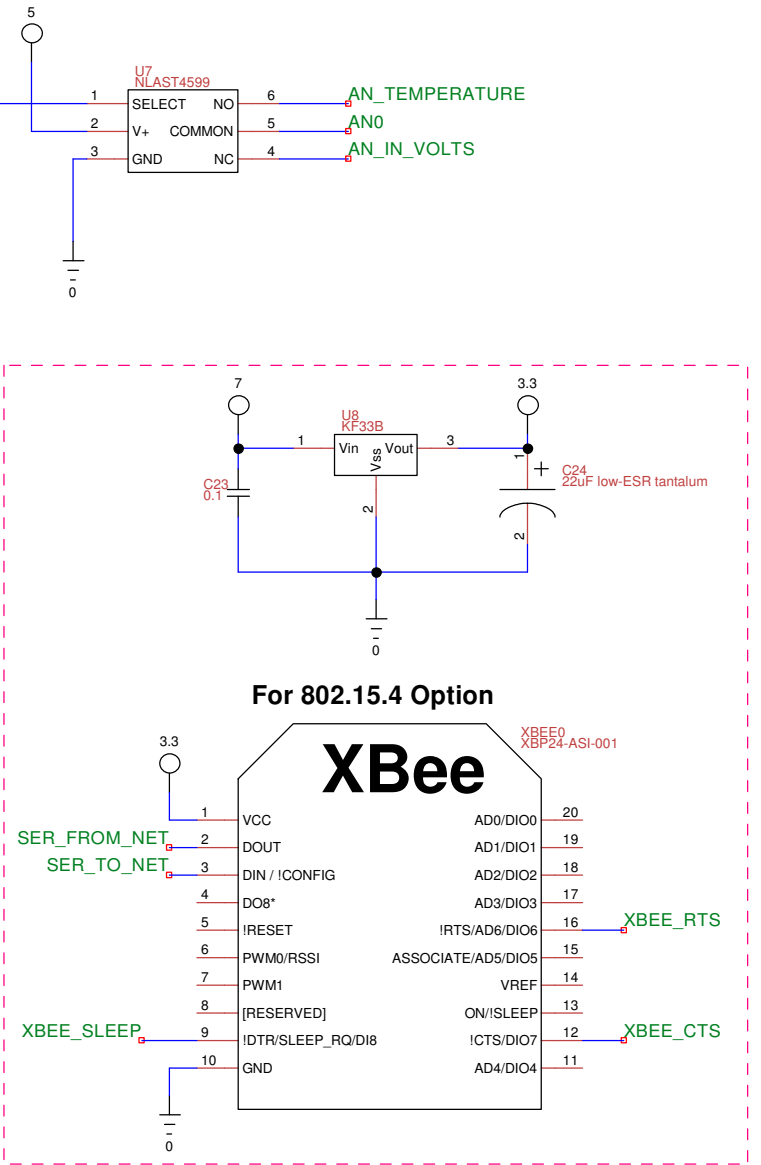
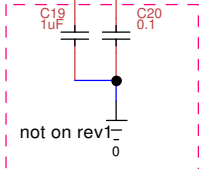
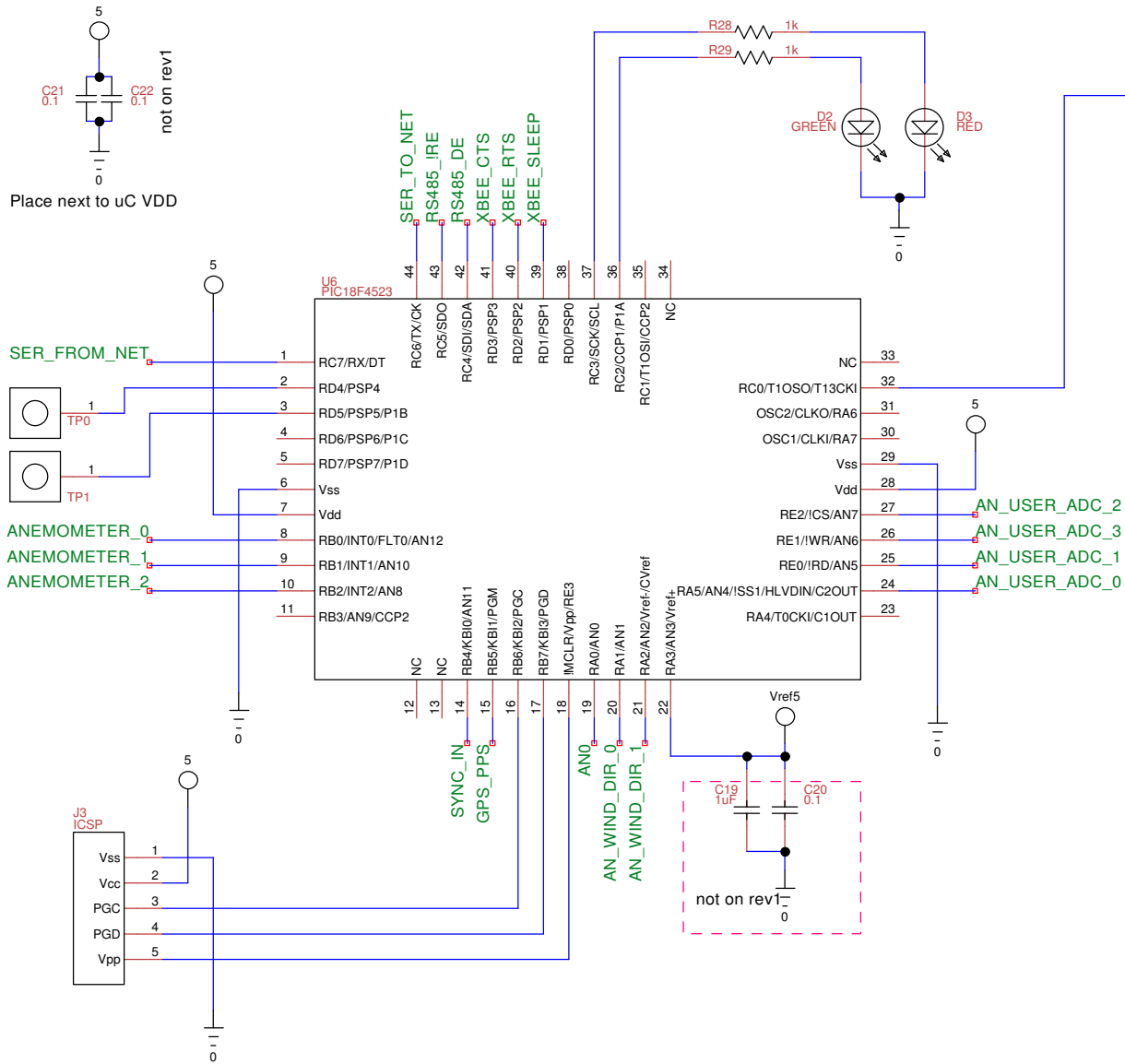
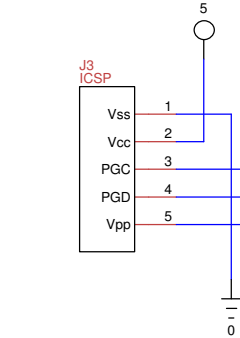
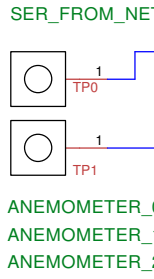
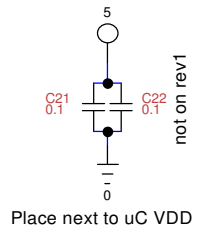
Precision 5 volt reference for ADC



Title XRW2G		
Author James Jarvis APRS World, LLC		
File es Jarvis\Desktop\projects\xrw2g\xrw2g_rev2.dsn	Document	
Revision 2.0	Date 2010-07-28	Sheets 1 of 3



Title XRW2G		
Author James Jarvis APRS World, LLC		
File es Jarvis\Desktop\projects\xrw2g\xrw2g_rev2.dsn	Document	
Revision 2.0	Date 2010-07-28	Sheets 2 of 3



Title XRW2G		
Author James Jarvis APRS World, LLC		
File es Jarvis\Desktop\projects\xrw2g\xrw2g_rev2.dsn	Document	
Revision 2.0	Date 2010-07-28	Sheets 3 of 3